



CCS 1 Charging Plugs

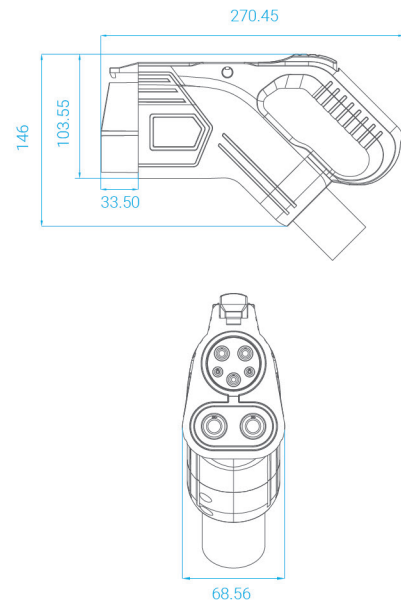


CCS 1 Conventional DC (CCS 1 DC Charging Plug)

- ◎ Ultrasonic terminal welding, contact resistance close to zero. A safe and reliable North American best seller

Contact resistance is close to zero and temperature rise is lower during use, making the charging process safer and prolonging the plug's lifespan. We are one of a select handful of domestic manufacturers that have obtained UL certification.

Friendly reminder: Customized designs available.



Product Parameters

Model No.	Rated Current	Cable Specification	Cable Material	Cable Outer Diameter
WB-SC-DC1.0-250A	250A	2x3/0AWG+1x6AWG+P(5x18AWG+1x18AWGP)	TPE	42.0mm
WB-SC-DC1.0-200A	200A	2x2/0AWG+1x6AWG+P(5x18AWG+1x18AWGP)	TPE	40.0mm
WB-SC-DC1.0-150A	150A	2x1AWG+1x8AWG+P(5x18AWG+1x18AWGP)	TPE	37.0mm
WB-SC-DC1.0-125A	125A	2x2AWG+1x8AWG+P(5x18AWG+1x18AWGP)	TPE	32.0mm
WB-SC-DC1.0-80A	80A	2x5AWG+1x9AWG+P(5x18AWG+1x18AWGP)	TPE	28.5mm
WB-SC-DC1.0-60A	60A	2x5AWG+1x9AWG+P(5x18AWG+1x18AWGP)	TPE	28.5mm

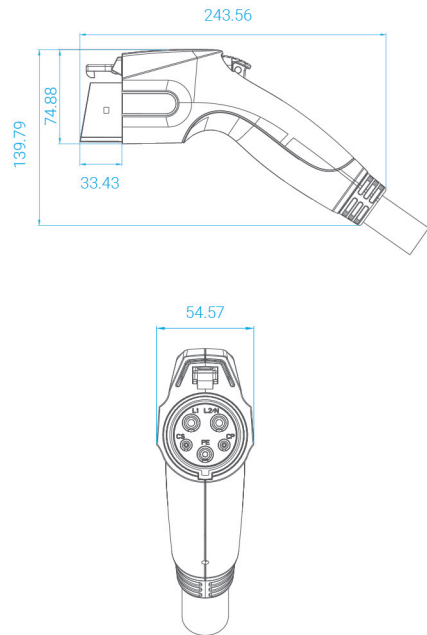
Specification	Parameter	Specification	Parameter
Rated Current	60A-250A	Casing Material	Thermoplastic
Rated Voltage	1000V DC	Terminal Material	Copper alloy, silver plated
Insulation Resistance	>500MΩ	Operating Environment Temperature	-30°C- +50°C
Contact Resistance	0.5 mΩ Max	Terminal Temperature Rise	<50K
Withstand Voltage	3500V	Insertion & Withdrawal Force	<100N
Flammability Rating	UL94V-0	Certification	UL / CE
Mechanical Lifespan	>10000 Mating Cycles	Warranty	24 months/10000 Mating Cycles
Casing Protection Rating	NEMA 3R		

Type 1 AC (Type 1 AC Charging Plug 2.0)

◎ UL Certified

The charging plug is designed to be a American Standard component with the crimp termina with integrated coating process. The product's modular design is integrated seamlessly with automated batch manufacturing technology, transforming the charging plug into an American Standard product.

Friendly reminder: Customized designs available.



Product Parameters

Model No.	Rated Current	Cable Specification	Cable Material	Cable Outer Diamete
WB-SC-AC2.0-80A	80A	2x5AWG+1x6AWG+1x16AWG	TPE	25.0mm
WB-SC-AC2.0-70A	70A	2x6AWG+1x6AWG+1x16AWG	TPE	24.5mm
WB-SC-AC2.0-65A	65A	2x6AWG+1x6AWG+1x16AWG	TPE	24.5mm
WB-SC-AC2.0-60A	60A	2x7AWG+1x9AWG+1x16AWG	TPE	21.7mm
WB-SC-AC2.0-50A	50A	2x8AWG+1x10AWG+1x16AWG	TPE	20.5mm
WB-SC-AC2.0-40A	40A	2x9AWG+1x9AWG+1x18AWG	TPE	18.5mm
WB-SC-AC2.0-32A	32A	3x10AWG+1x18AWG	TPE	16.0mm
WB-SC-AC2.0-16A	16A	3x14AWG+1x18AWG	TPE	14.3mm



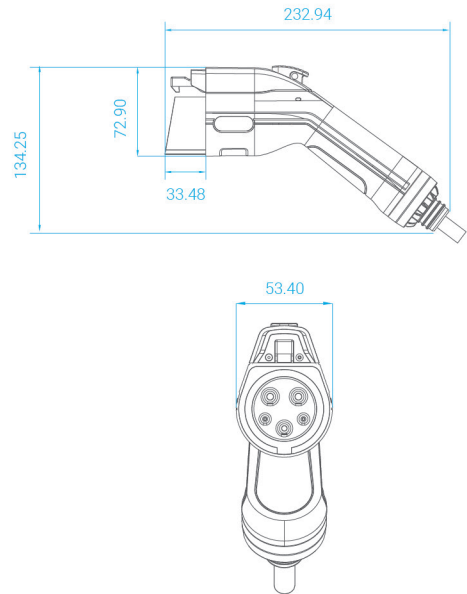
Specification		Parameter	
Rated Current	16A-80A	Casing Protection Rating	NEMA 3S
Rated Voltage	110V / 240V AC	Casing Material	Thermoplastic
Insulation Resistance	>500MΩ	Terminal Material	Copper alloy, silver plated + thermoplastic top
Contact Resistance	0.5 mΩ Max	Operating Environment Temperature	-30°C- +50°C
Withstand Voltage	2500V	Certification	UL
Flammability Rating	UL94V-0	Warranty	24 months/10000 Mating Cycles
Mechanical Lifespan	>10000 Mating Cycles		

Type 1 AC (Type 1 AC Charging Plug 1.0)

○ UL/ TUV/ CE Certified

The plug has an ergonomic design with a grip that perfectly fits the human hand. IP55/NEMA3R protection ratings are optional and the matching plug cover provides effective protection. The product also features a high-quality thermoplastic casing with copper alloy pins.

Friendly reminder: Customized designs available.



Product Parameters

Model No.	Rated Current	Cable Specification	Cable Material	Cable Outer Diameter
WB-SC-AC1.0-48AS	48A	2x8AWG+1x10AWG+1x16AWG	TPE	20.5mm
WB-SC-AC1.0-40AS	40A	2x9AWG+1x9AWG+1x18AWG	TPE	18.5mm
WB-SC-AC1.0-32AS	32A	3x10AWG+1x18AWG	TPE	16.0mm
WB-SC-AC1.0-16AS	16A	3x14AWG+1x18AWG	TPE	14.3mm
WB-SC-AC1.0-32AS	32A	3x6+1x0.5	TPU	13.5mm
WB-SC-AC1.0-16AS	16A	3x2.5+1x0.5	TPU	11.7mm

Specification	Parameter	Specification	Parameter
Rated Current	16A/32A/40A/48A	Casing Protection Rating	IP55/NEMA 3R
Rated Voltage	110V / 240V AC	Casing Material	Thermoplastic
Insulation Resistance	>500MΩ	Terminal Material	Copper alloy, silver plated + thermoplastic top
Contact Resistance	0.5 mΩ Max	Operating Environment Temperature	-30°C- +50°C
Withstand Voltage	2500V	Certification	UL / CE / TUV
Flammability Rating	UL94V-0	Warranty	24 months/10000 Mating Cycles
Mechanical Lifespan	>10000 Mating Cycles		